

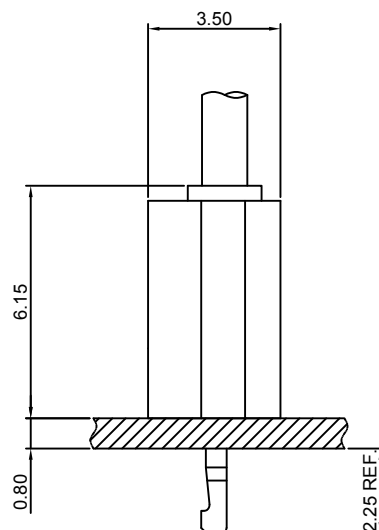
Specifications

Current rating:1A AC,DC
Voltage rating:250V AC,DC
Temperature range:-40°C~+105°C
Contact resistance:20mΩMax.
Insulation resistance:500MΩMin.
Withstanding voltage:1000V AC/minute
Compliant with RoHS and REACH
Meet the HF/Halogen Free need to customize
Contact CJT for details

Standards



Assembly layout

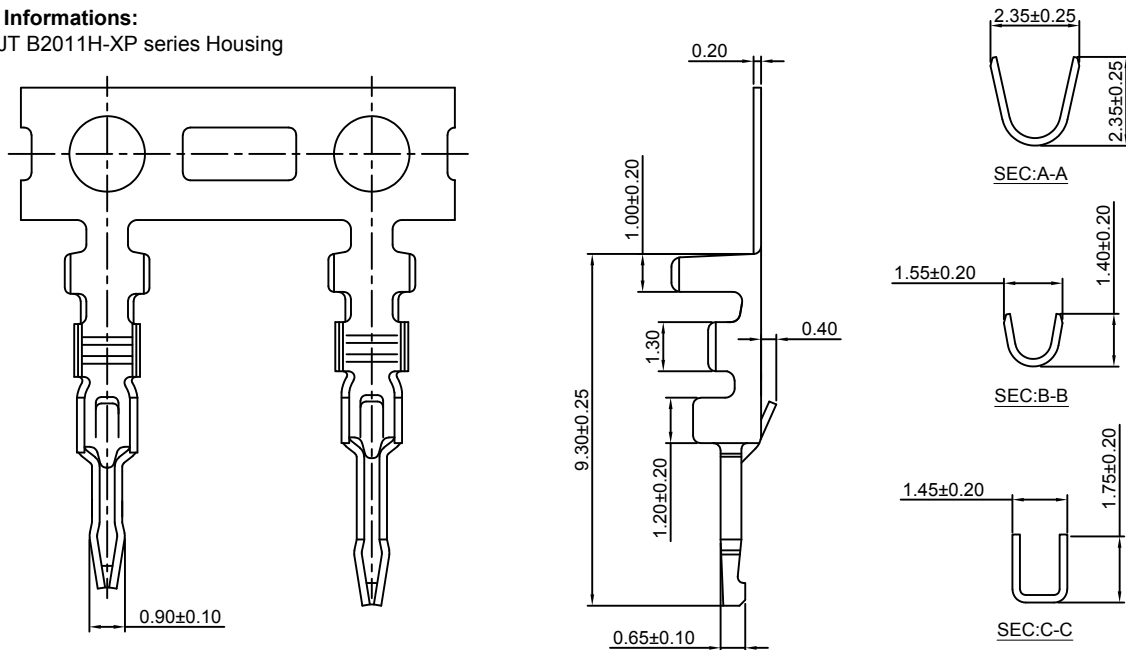


B2011-T

2.00mm pitch Crimp Terminal

Reference Informations:

*Used in CJT B2011H-XP series Housing



Ordering information & Specifications:

Unit:mm

Part NO.	Wire Range	Insulation O.D.	Material	Finish	Qty/reel
B2011-TB	AWG#24-#30	1.30mm(max)	Brass	Tin over Nickel	10,000 PCS
B2011-TP	AWG#24-#30	1.30mm(max)	Phosphor Bronze	Tin over Nickel	10,000 PCS
B2011-GB	AWG#24-#30	1.30mm(max)	Brass	Gold over Nickel	10,000 PCS
B2011-GP	AWG#24-#30	1.30mm(max)	Phosphor Bronze	Gold over Nickel	10,000 PCS

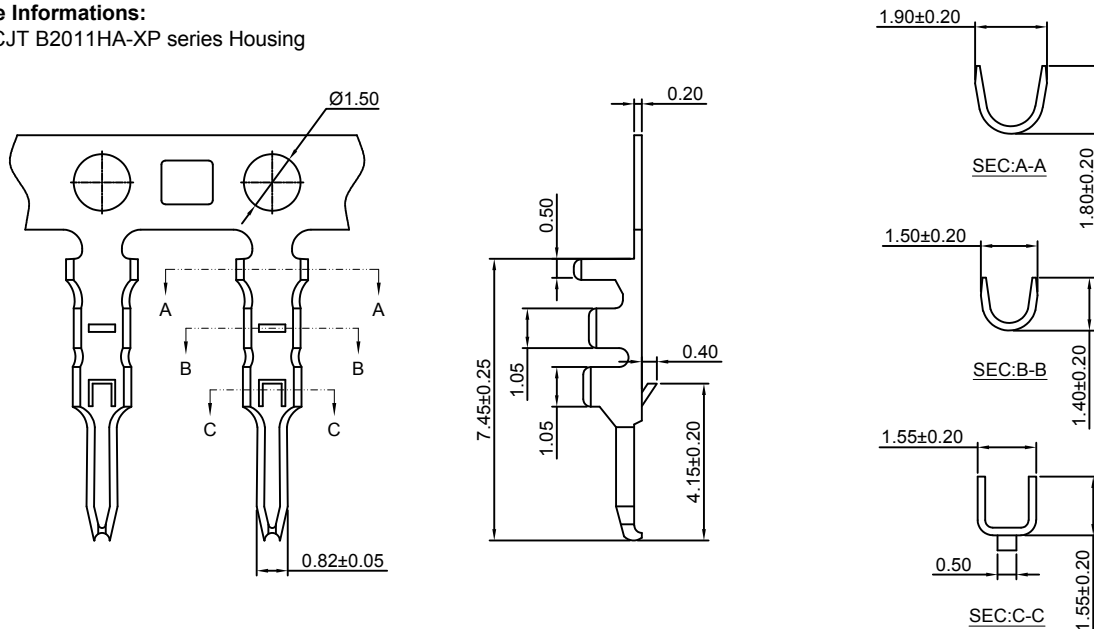
Optional Gold plating available but MOQ requested

B2011-T-A

2.00mm pitch Crimp Terminal

Reference Informations:

*Used in CJT B2011HA-XP series Housing



Ordering information & Specifications:

Unit:mm

Part NO.	Wire Range	Insulation O.D.	Material	Finish	Qty/reel
B2011-TB-A	AWG#28-#30	1.00mm(max)	Brass	Tin over Nickel	10,000 PCS
B2011-TP-A	AWG#28-#30	1.00mm(max)	Phosphor Bronze	Tin over Nickel	10,000 PCS
B2011-GB-A	AWG#28-#30	1.00mm(max)	Brass	Gold over Nickel	10,000 PCS
B2011-GP-A	AWG#28-#30	1.00mm(max)	Phosphor Bronze	Gold over Nickel	10,000 PCS

Optional Gold plating available but MOQ requested

B2011H-XP

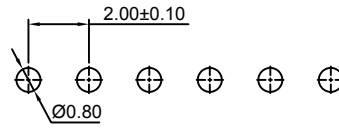
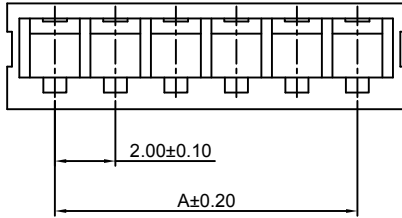
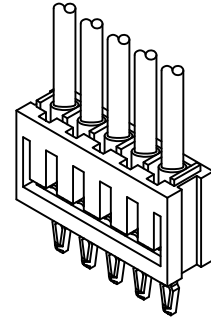
2.00mm pitch Housing

Reference Informations:

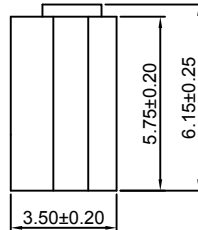
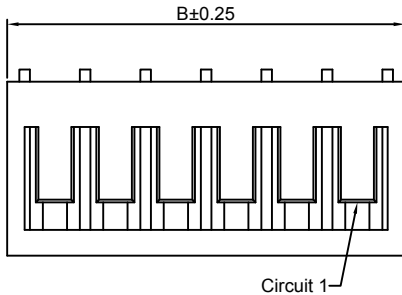
- *Material:Nylon 66,UL94V-0
- *Suitable CJT B2011-T series Terminal
- *Color:White

Ordering Information:

- B2011H-XP - ***
 $\frac{1}{2}$
 1.Part No.
 2.Material:
 (blank):Nylon 66,UL94V-0
GWT:Nylon 66,UL94V-0,GWT 750°C



P.C.B LAYOUT



Ordering Information & Dimensions:

PART NO.	Dimensions	
	A	B
2P	2.00	5.20
3P	4.00	7.20
4P	6.00	9.20
5P	8.00	11.20
6P	10.00	13.20
7P	12.00	15.20
8P	14.00	17.20
9P	16.00	19.20
10P	18.00	21.20
11P	20.00	23.20
12P	22.00	25.20
13P	24.00	27.20
14P	26.00	29.20
15P	28.00	31.20
16P	30.00	33.20

Unit: mm

B2011HA-XP

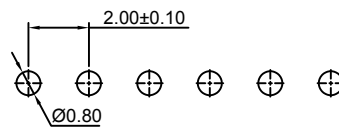
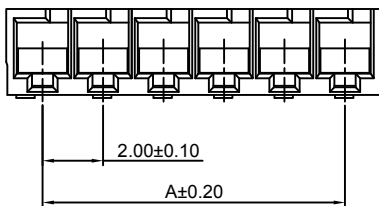
2.00mm pitch Housing

Reference Informations:

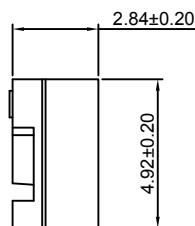
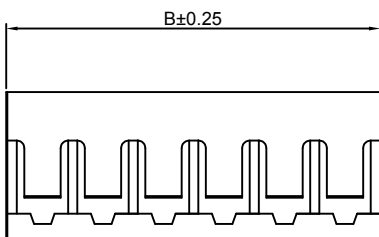
- *Material:Nylon 66,UL94V-0
- *Suitable CJT B2011-T-A series Terminal
- *Color:White

Ordering Information:

- B2011HA-XP - ***
 $\frac{1}{2}$
 1.Part No.
 2.Material:
 (blank):Nylon 66,UL94V-0
GWT:Nylon 66,UL94V-0,GWT 750°C



P.C.B LAYOUT



Ordering Information & Dimensions:

PART NO.	Dimensions	
	A	B
2P	2.00	4.40
3P	4.00	6.40
4P	6.00	8.40
5P	8.00	10.40
6P	10.00	12.40
7P	12.00	14.40
8P	14.00	16.40
9P	16.00	18.40
10P	18.00	20.40
11P	20.00	22.40
12P	22.00	24.40
13P	24.00	26.40
14P	26.00	28.40
15P	28.00	30.40
16P	30.00	32.40

Unit: mm