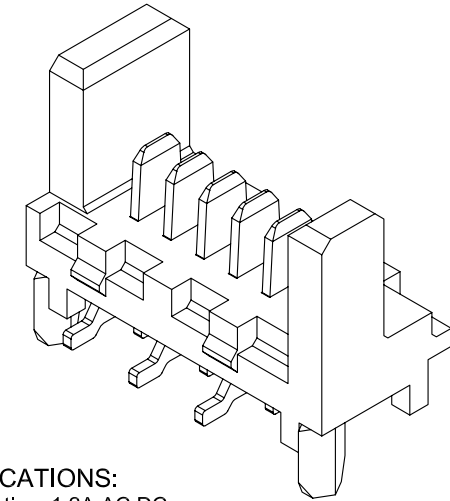


P.C.B LAYOUT

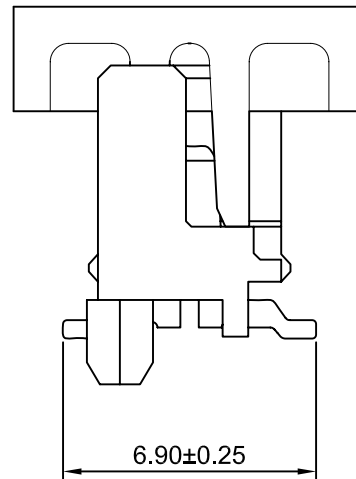
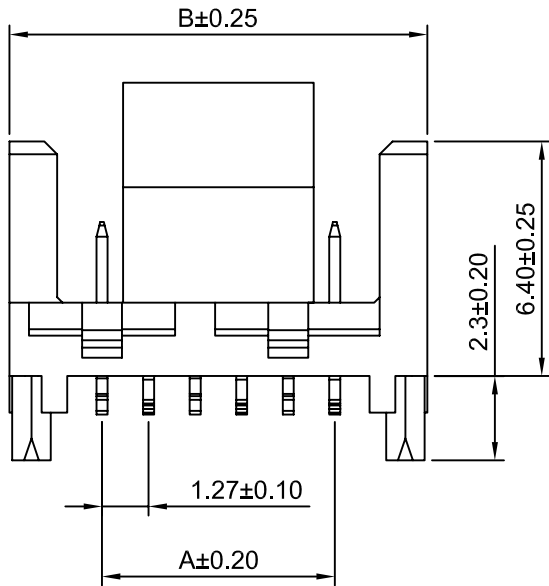


SPECIFICATIONS:

Current Rating: 1.2A AC,DC
 Voltage Rating: 250V AC,DC
 Temperature Range: -40°C ~ +105°C
 Contact Resistance: 20mΩ Max
 Insulation Resistance: 1000MΩ Min
 Withstanding Voltage: 500V AC/minute
 Housing Material: LCP, UL94V-0(Black)
 Terminal Material: Copper Alloy/Tin over Nickel

Ordering Information & Dimensions

Circuits	Dimensions(mm)		Circuits	Dimensions(mm)	
	A	B		A	B
4P	3.81	8.86	16P	19.05	24.10
6P	6.35	11.40	18P	21.59	26.64
8P	8.89	13.94	20P	24.13	29.18
10P	11.43	16.48	22P	26.67	31.72
12P	13.97	19.02	24P	29.21	34.26
14P	16.51	21.56	26P	31.75	36.80



CHANGJIANG CONNECTORS CO.,LTD.

Unit	Scale	Sheet
mm	5:1	1 of 1

Draw BY:	Approved :
Tony Su	Jack Yin

Title :
1.27mm IDC 180°
Wafer - SMT TYPE

General Tolerance	
x.x≤0.25	ANGLE±
x.xx≤0.20	
x.xxx≤0.15	

DRAW NO : **D1272WV-S-F-XP** REV A0

A0	NEW RELEASE	2017.01.10
REV	DESCRIPTION	DATE